

Model PSH

High Performance Pressure Transducer

Description

PSH model is high precise and its media-wetted materials are composed of stainless steel 316L, having excellent corrosion-resistant properties. It is applied to precise measurement and builds an inner amplifier to interface with various kinds of controllers.

Features

- ▶ CE Certified
- ▶ VDC, mA output
- ▶ Measuring range 0~70MPa
- ▶ 0.15%FS accuracy
- ▶ Gauge and absolute measurement
- ▶ Piezoresistive silicon cell
- ▶ Stainless steel(316L) media-wetted materials

Applications

- ▶ Process control
- ▶ Hydraulics & Pneumatic
- ▶ Compressor Control
- ▶ Chillers
- ▶ Refrigeration Equipment

Specifications



Range

0 ~ 5kPa ... 70MPa(Gauge)
-100kPa ~ 0 ... 70MPa (Gauge)
0 ~ 35kPa ... 70MPa (Absolute)

Performance

Accuracy $\pm 0.15\%FS(RSS)$
Thermal Effect on Zero $\pm 0.03\%FS/^{\circ}C$
Thermal Effect on Span $\pm 0.03\%FS/^{\circ}C$
Compensated Temperature Range $-10 \sim 70^{\circ}C$
Operating Temperature Range $-20 \sim 80^{\circ}C$

Electrical

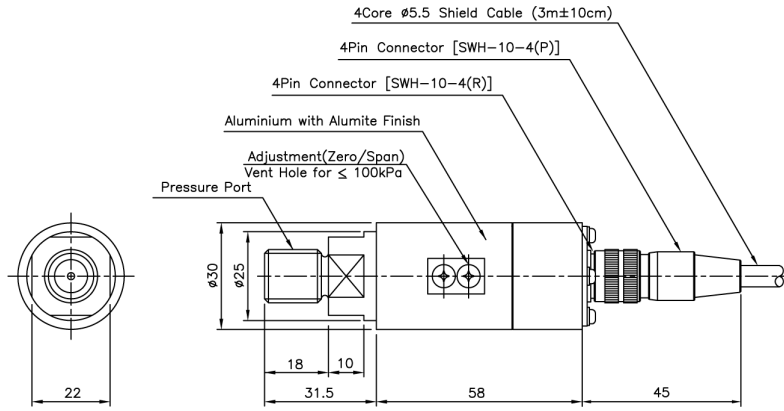
Excitation 11 ~ 28VDC
Output 0~5VDC, 1~5VDC, 0~10VDC(3, 4Wire)
4~20mA(2, 3 Wire)
Electrical Connection Connector, Head, Din Connector

Physical

Proof Pressure X3 or 140MPa, Whichever is less.
Burst Pressure X4 or 210MPa, Whichever is less.
Vibration $49.1m/s^2\{5G\}$, 10~500Hz
Shock $490m/s^2\{50G\}$
Pressure port R(PT)1/8", G(PF)1/8", R(PT)1/4", G(PF)1/4", R(PT)3/8", G(PF)3/8"
Media-Wetted Materials Stainless Steel 316L, Viton
Weight Connector type : Approx. 140g (Sensor Only)

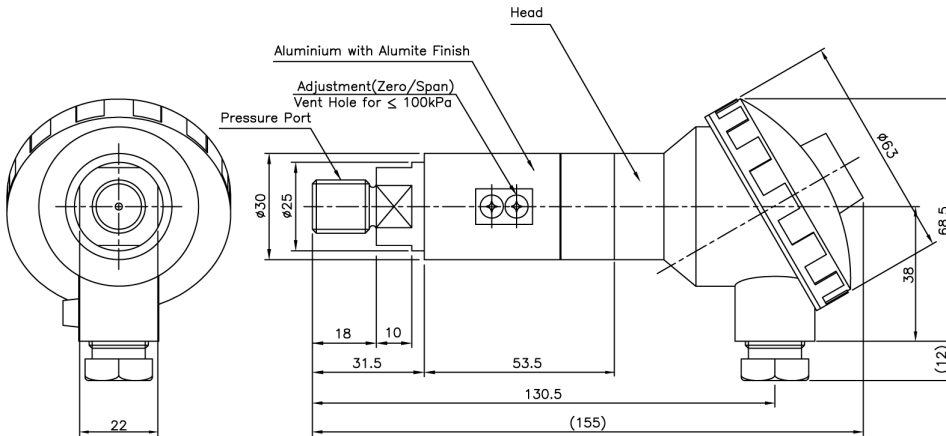
Dimension

► Connector Type



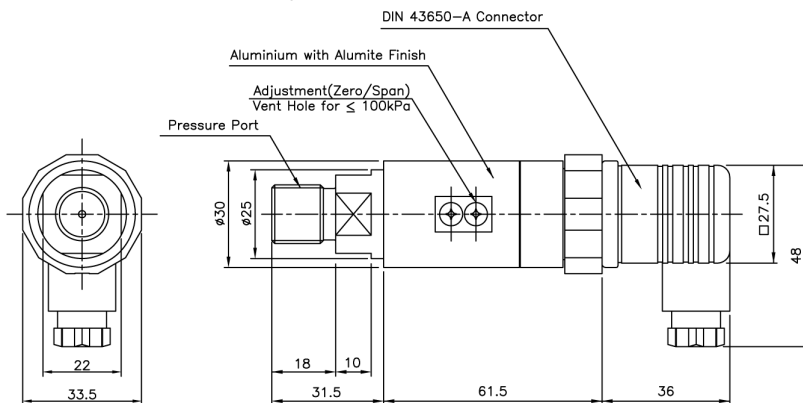
Pin No.	Wire Color	Connections		
		4Wire	3Wire	2Wire
1	Red	Input ⊕	Input ⊕	Input ⊕
2	White	Output ⊖	Common ⊖	×
3	Black	Input ⊖	×	Output ⊕
4	Green	Output ⊕	Output ⊕	×
5	Shield	Earth	Earth	Earth

► Head Type



No.	Connections
	2Wire
+	Input ⊕
⊕	Earth
-	Output ⊕

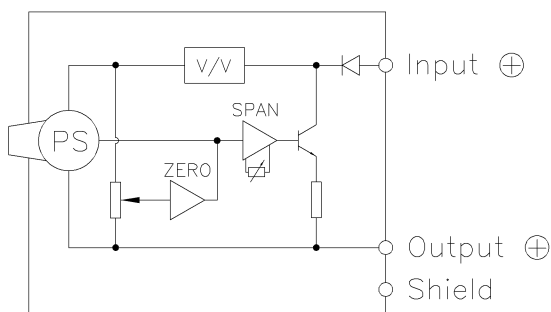
► Din connector Type



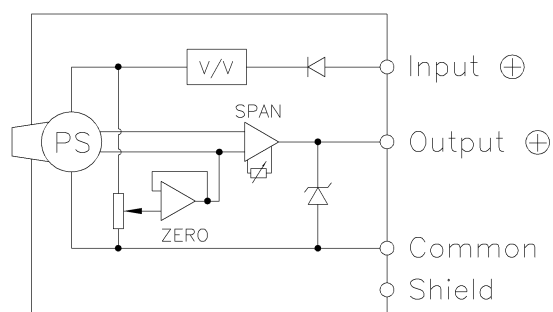
Pin No.	Connections	
	3Wire	2Wire
1	Input ⊕	Input ⊕
2	Common ⊖	Output ⊕
3	Output ⊕	×
⊕	Earth	Earth

Internal Circuit Diagram

► 2Wire mA Output Type



► 3, 4Wire mA, VDC Output Type



Ordering Information

